

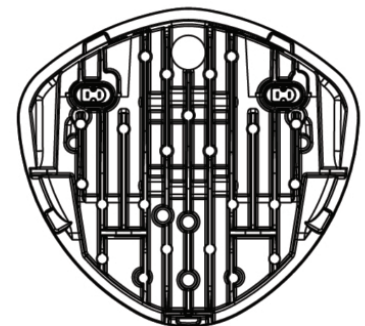
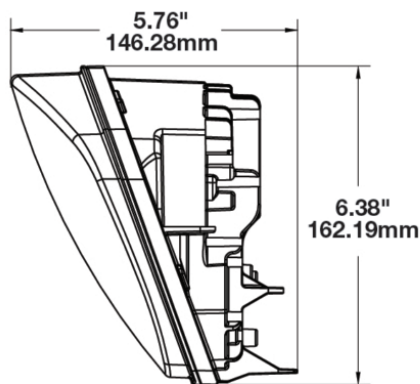
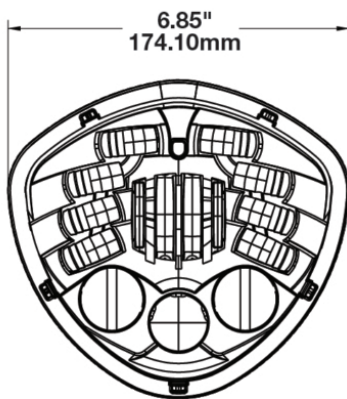
Adaptive LED Headlights – Model 8695 Adaptive 2

PRODUCT INFORMATION

Description	12V DOT LED Diamond Adaptive Headlight with Black Inner Bezel
Height	162.00 mm / 6.38 in
Width	174.00 mm / 6.85 in
Depth	146.00 mm / 5.75 in
Shape	Stylized
Outer Lens Material	Polycarbonate
Outer Lens Color	Clear
Housing Material	Aluminum
Housing Color	Grey
Bezel Color	Black
Retrofits	Victory Diamond Headlights
Minimum Operating Temperature	-40 °C / -40 °F
Maximum Operating Temperature	65 °C / 149 °F
Connector or Wiring	Integral Connectors
Mating Connector	DELPHI 12124819
Product Weight	3.05 lbs / 1.38 kgs
Shipping Weight	3.10 lbs / 1.41 kgs



PRODUCT DIMENSIONS



Print date: 2024-08-11

© 2024 J.W. Speaker Corporation • Germantown, WI U.S.A.
www.jwspeaker.com • speaker@jwspeaker.com • 262.251.6660

Adaptive LED Headlights – Model 8695 Adaptive 2

ELECTRICAL SPECIFICATIONS

Input Voltage	12V DC
Operating Voltage	9-16V DC
Transient Spike Protection	150V Peak @ 1 HZ-100 Pulses
Current Draw	1.9A @ 12V DC (Low Beam) 3.2A @ 12V DC (High Beam) 4.5A @ 12V DC (Low Beam at Full Lean) 5.5A @ 12V DC (High Beam at Full Lean)

REGULATORY STANDARDS COMPLIANCE



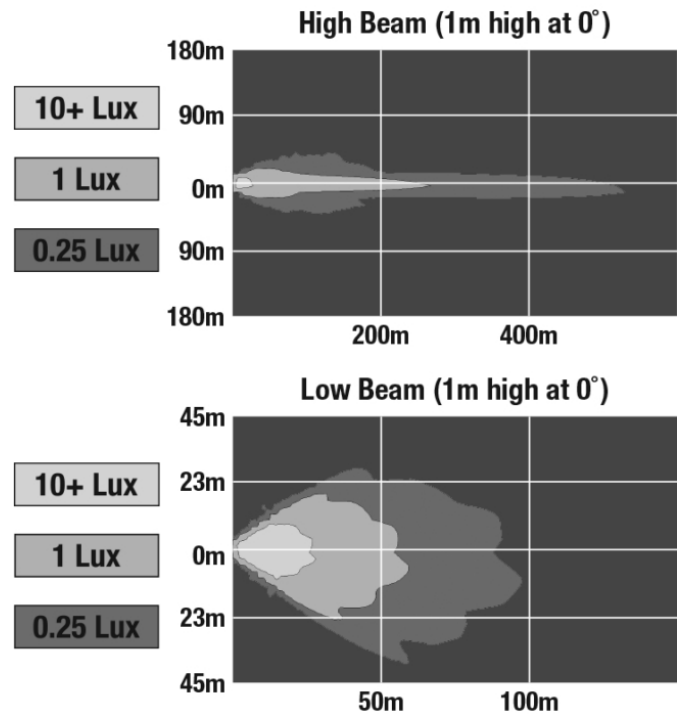
FMVSS 108 s10.1 (Table XX) IEC IP67

Tested to ECE Reg. 10
(Radiated Emissions only)

Adaptive LED Headlights – Model 8695 Adaptive 2

PHOTOMETRIC SPECIFICATIONS

Raw Lumen Output	3,520 (High Beam); 2,120 (Low Beam)
Effective Lumen Output	1,600 (High Beam); 1,050 (Low Beam)
Candela Output	60,000 (High Beam); 8,300 (Low Beam)
Nominal LED Color Temperature	5000 K
Beam Pattern(s)	Forward Lighting - High Beam (DOT) Forward Lighting - Low Beam (DOT)



APPLICATIONS



ADDITIONAL INFORMATION

Improvements over the original Adaptive Series

The NEW Adaptive 2 Series headlights have been improved to feature Adaptive technology when using the high beam, in addition to the low beam. Providing ditch-to-ditch lighting to eliminate dark corners on sharp turns and a punch of light 1,500 feet down the road to give you a safer and more confident ride.

Red Wire

Note about Front Position: The front position light is a requirement outside the United States. **If your bike is operated in the United States you do NOT need to connect this wire (red)** unless your bike is equipped with a front position light.

Print date: 2024-08-11

© 2024 J.W. Speaker Corporation • Germantown, WI U.S.A.
www.jwspeaker.com • speaker@jwspeaker.com • 262.251.6660

Adaptive LED Headlights – Model 8695 Adaptive 2

PRODUCT WARNINGS

For California residents:

⚠ **WARNING:** Cancer and reproductive harm - www.P65Warnings.ca.gov.

⚠ **AVERTISSEMENT:** Cancer et effet nocif sur la reproduction - www.P65Warnings.ca.gov.

RELATED PRODUCTS



Part Number

0555161

12V DOT LED Diamond
Adaptive Headlight
with Chrome Inner
Bezel

Print date: 2024-08-11

© 2024 J.W. Speaker Corporation • Germantown, WI U.S.A.
www.jwspeaker.com • speaker@jwspeaker.com • 262.251.6660

J.W. SPEAKER 
Engineered. Lighting. Solutions.